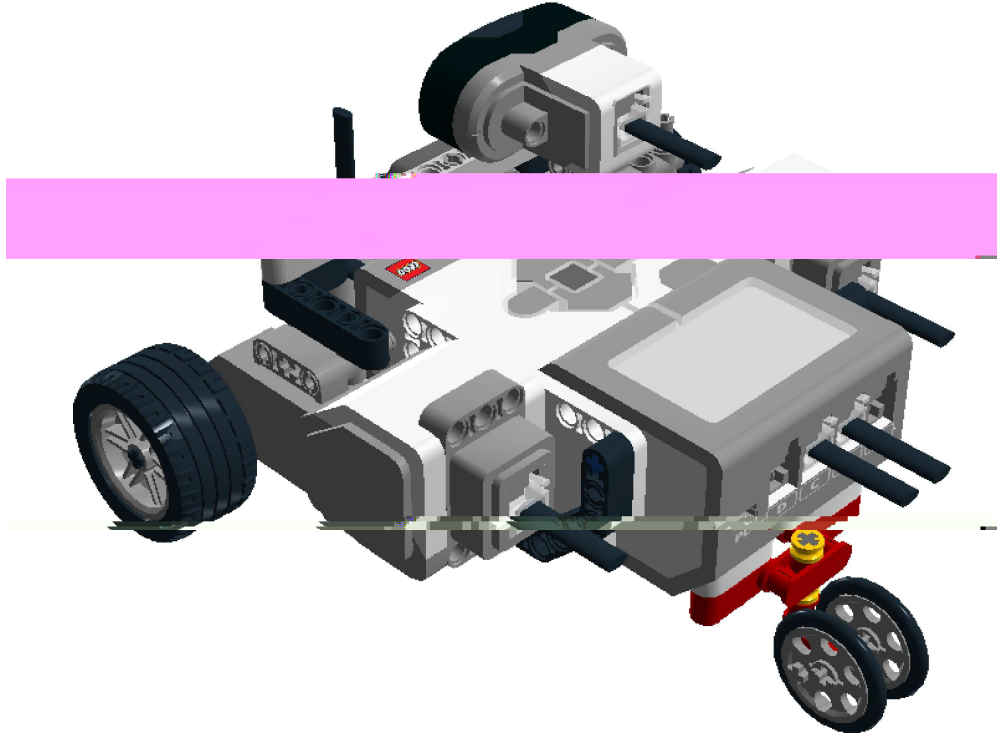


LEGO DIGITAL DESIGNER 4.2

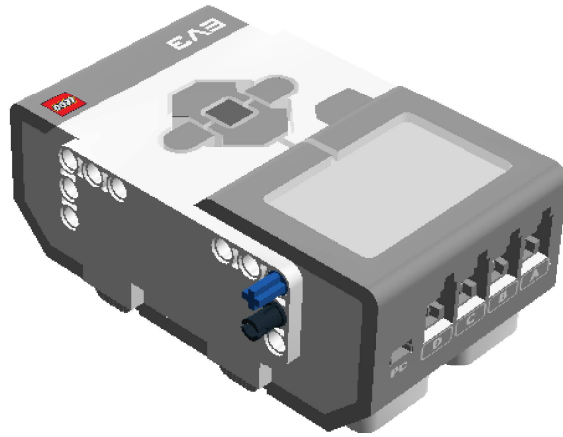
Model Name:
SumoEv3

Number of Bricks: 70

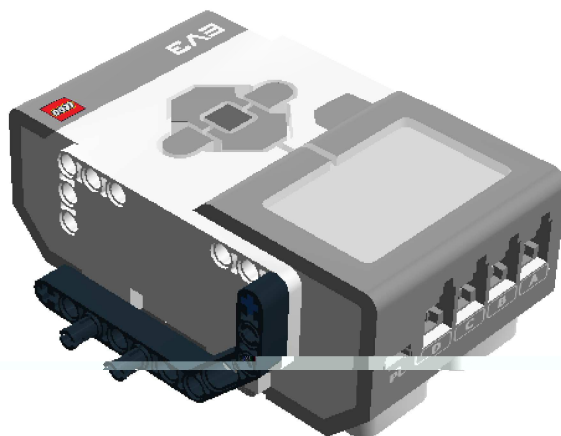
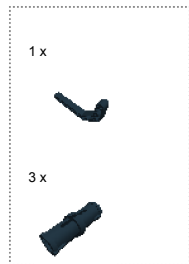


Step 1 of 29




- 1 x 
- 1 x 
- 1 x 

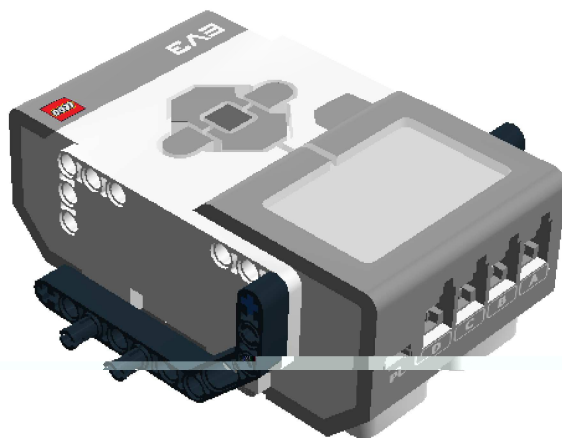


Step 2 of 29

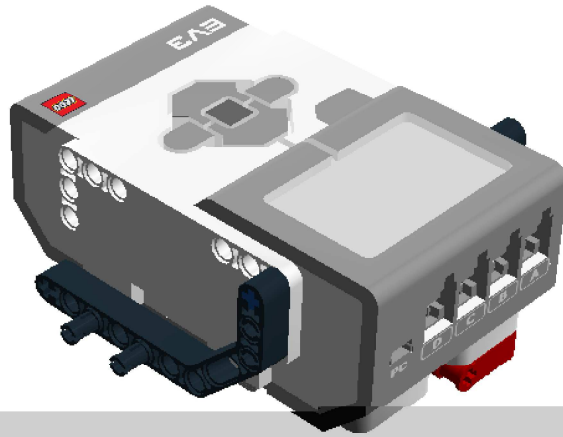
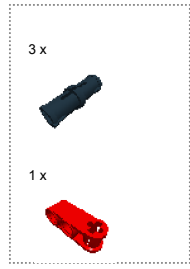


Step 3 of 29




- 1 x 
- 2 x 
- 1 x 

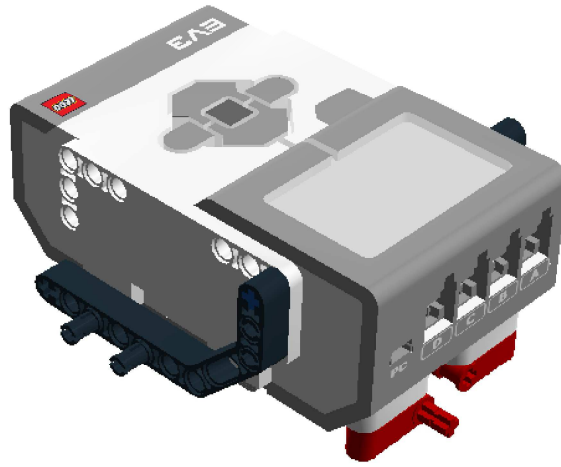


Step 4 of 29






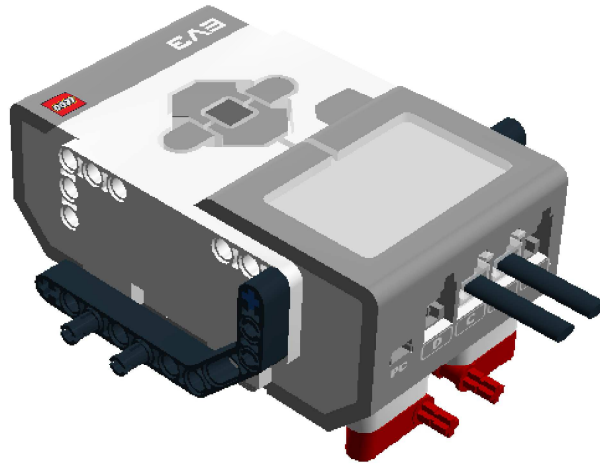
Step 5 of 29

- 1 x 
- 2 x 
- 1 x 

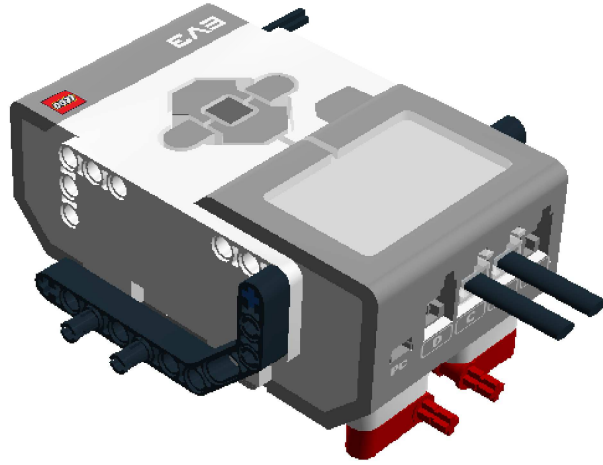


Step 6 of 29

- 2 x 
- 1 x 
- 1 x 



Step 7 of 29



Step 8 of 29

1 x



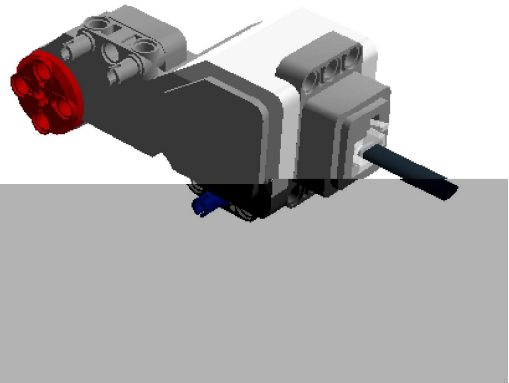
1 x



1 x

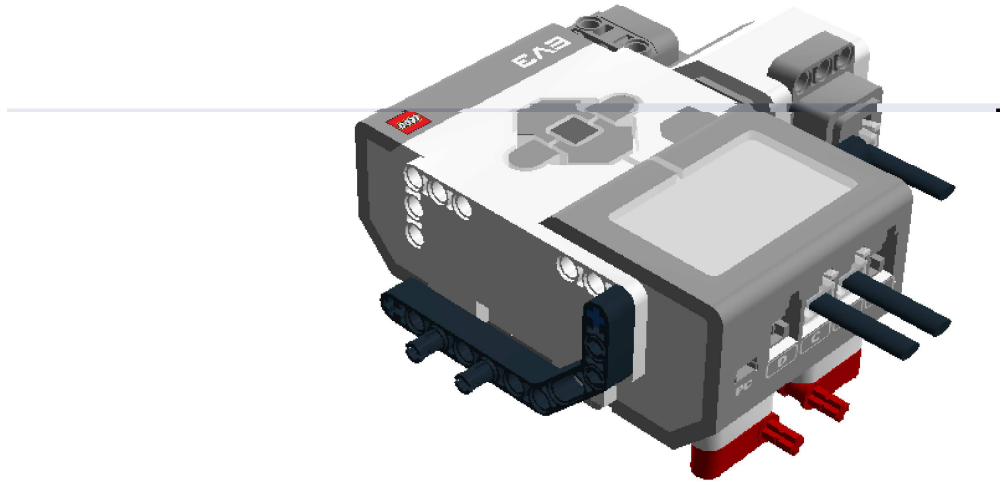


1 x

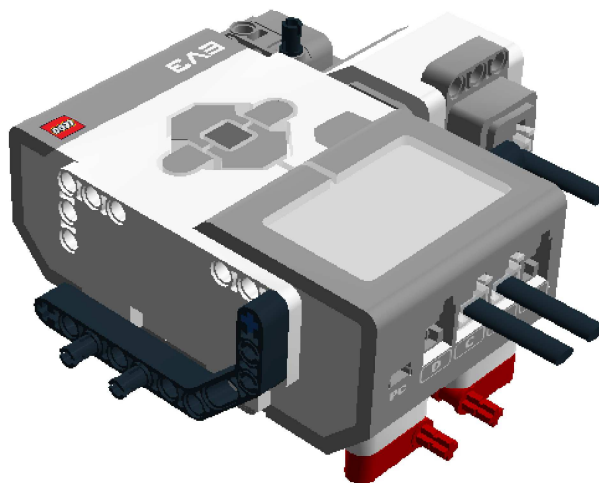
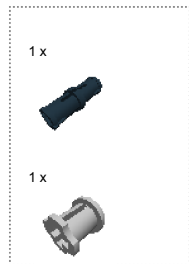


Step 9 of 29

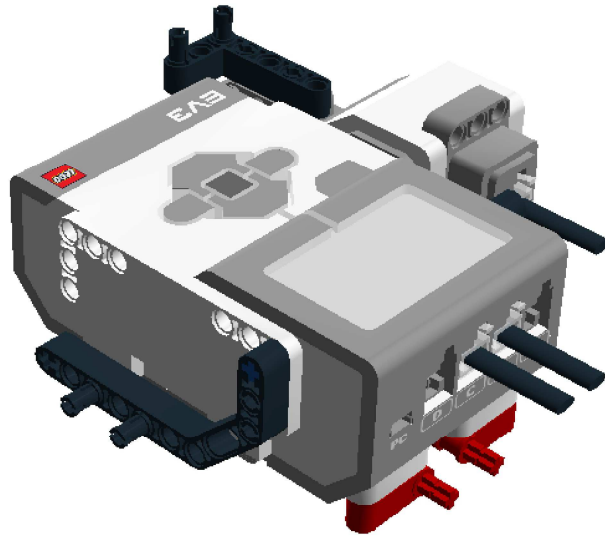
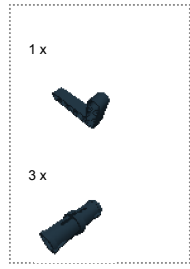
.....



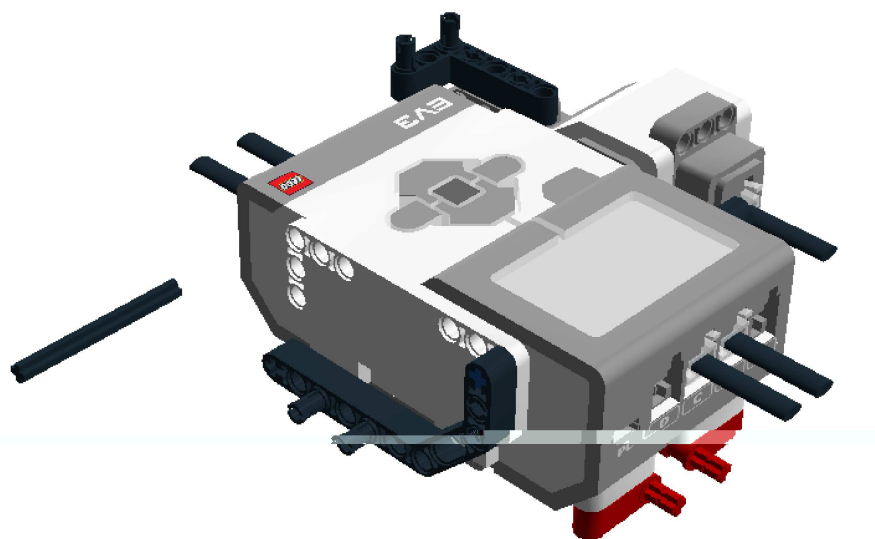
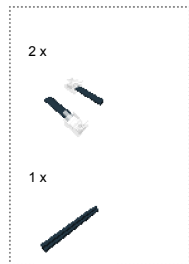
Step 10 of 29



Step 11 of 29



Step 12 of 29



Step 13 of 29

1 x



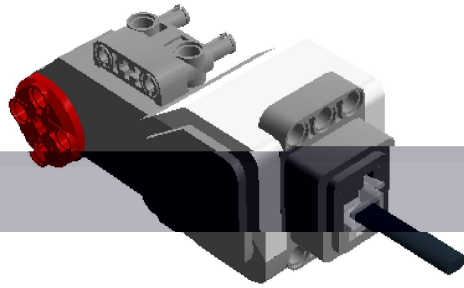
1 x



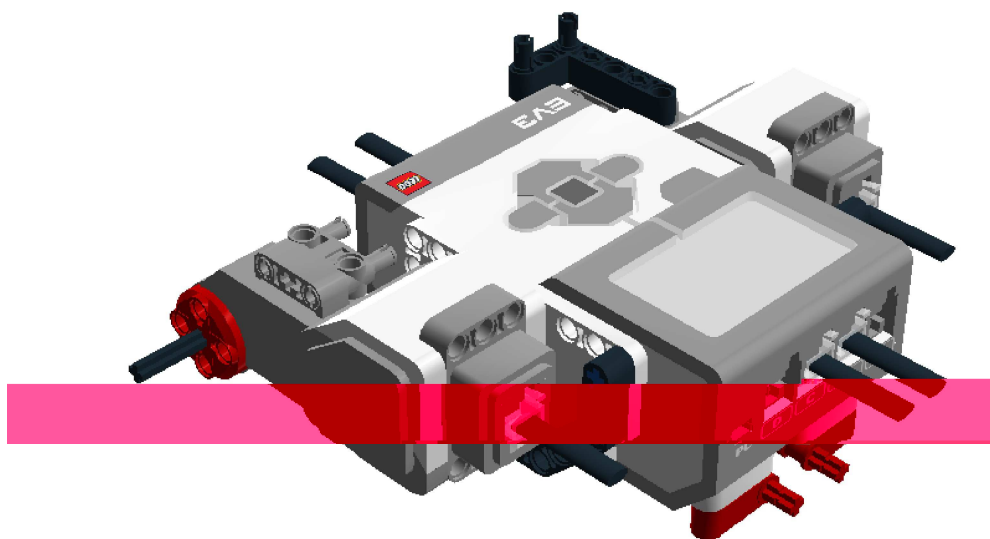
1 x



1 x



Step 14 of 29



Step 15 of 29

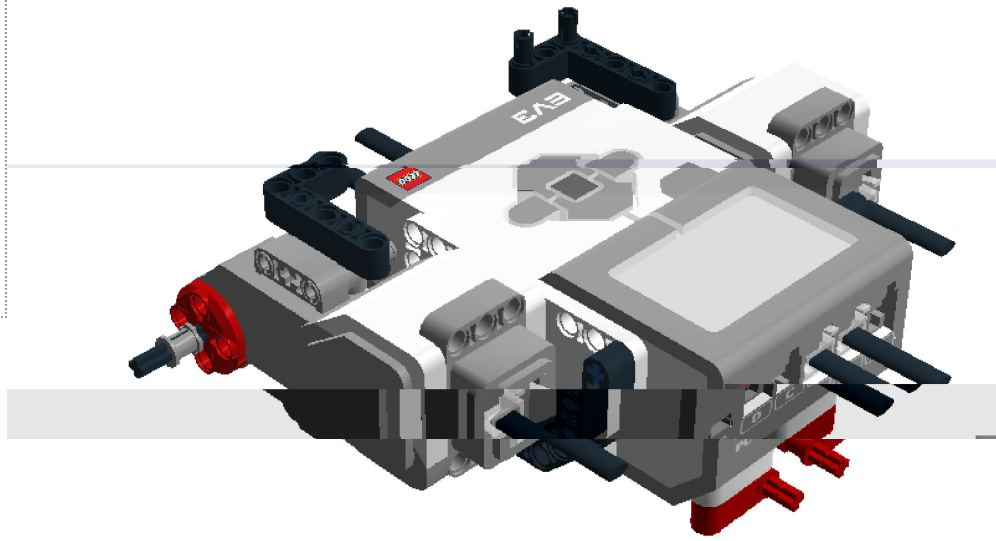
1 x



2 x



1 x

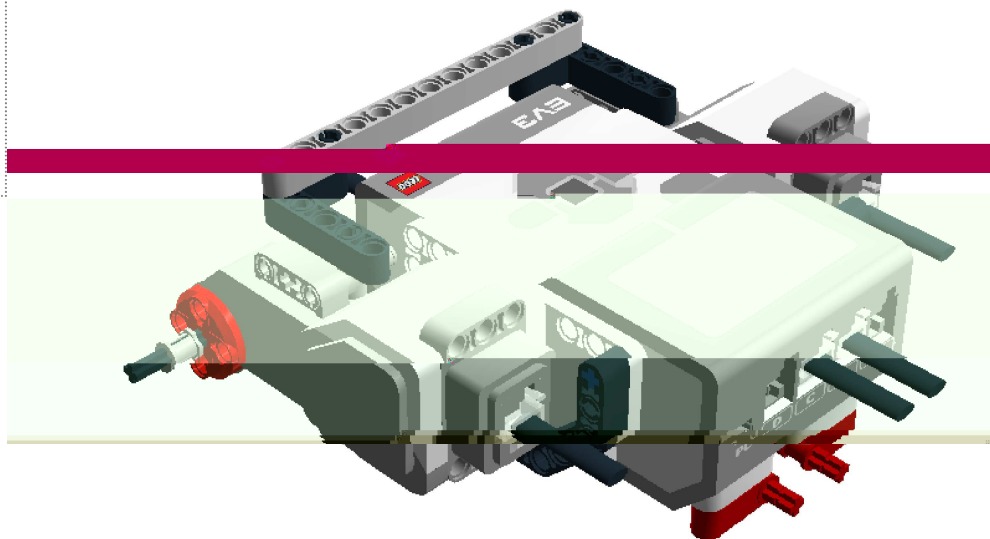


Step 16 of 29

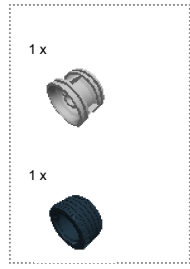
1 x



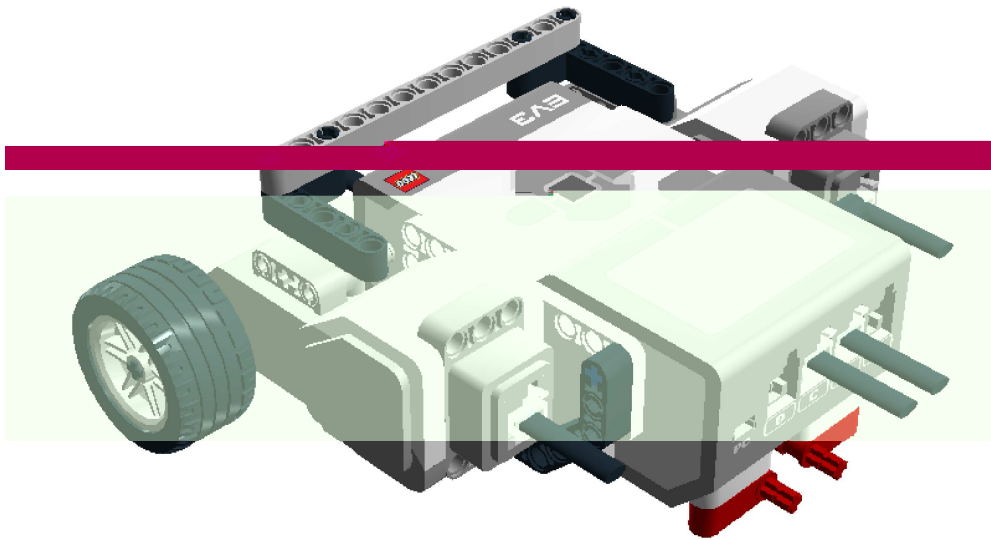
2 x



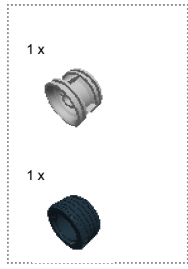
Step 17 of 29



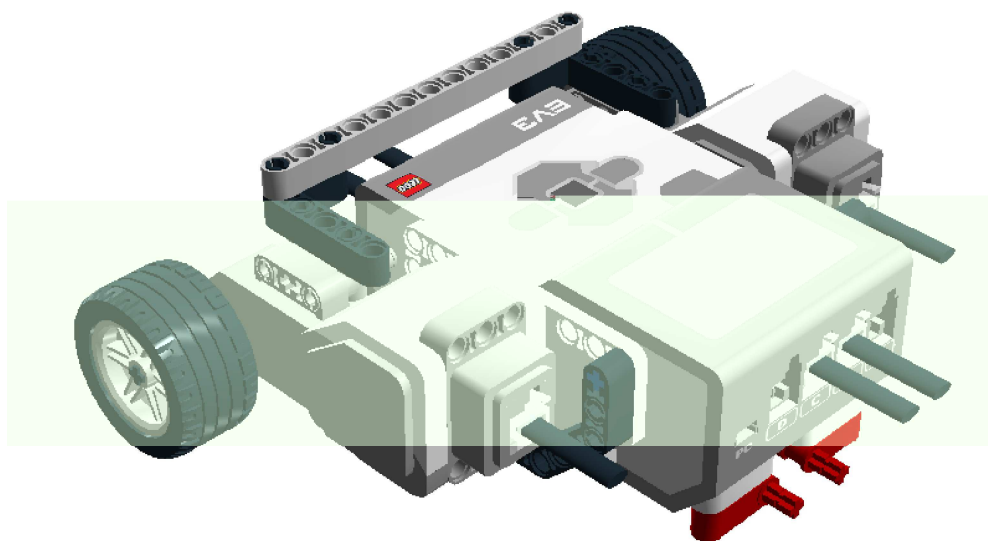
.....



Step 19 of 29

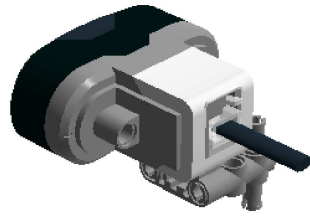


Step 20 of 29

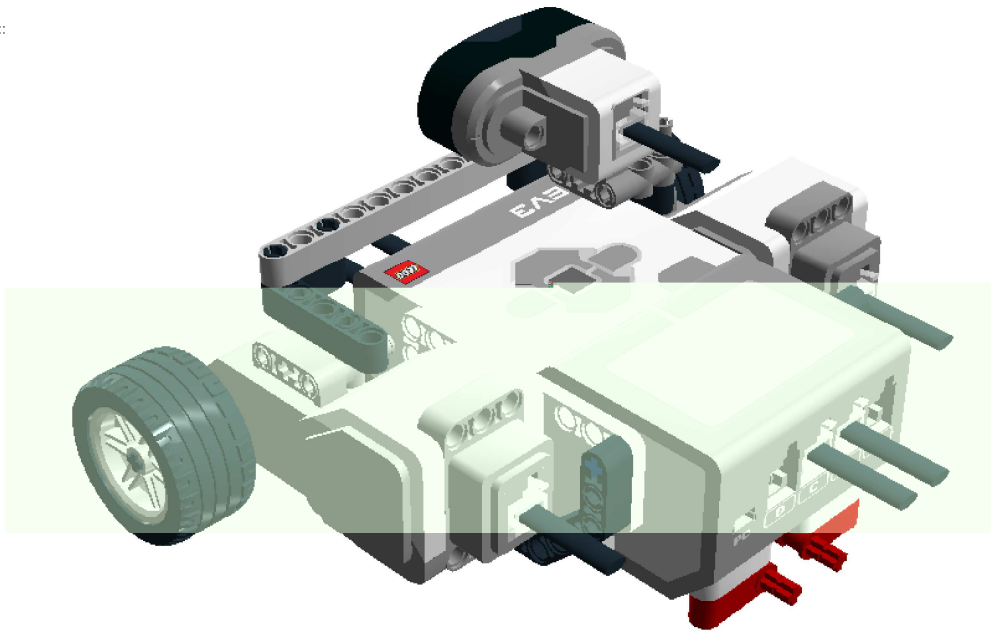


Step 21 of 29

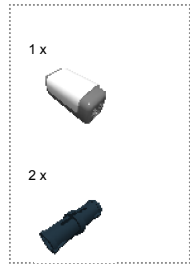
- 1 x 
- 1 x 
- 2 x 



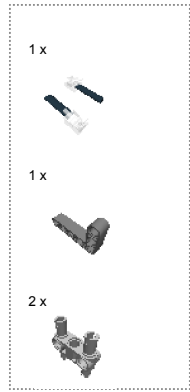
Step 22 of 29



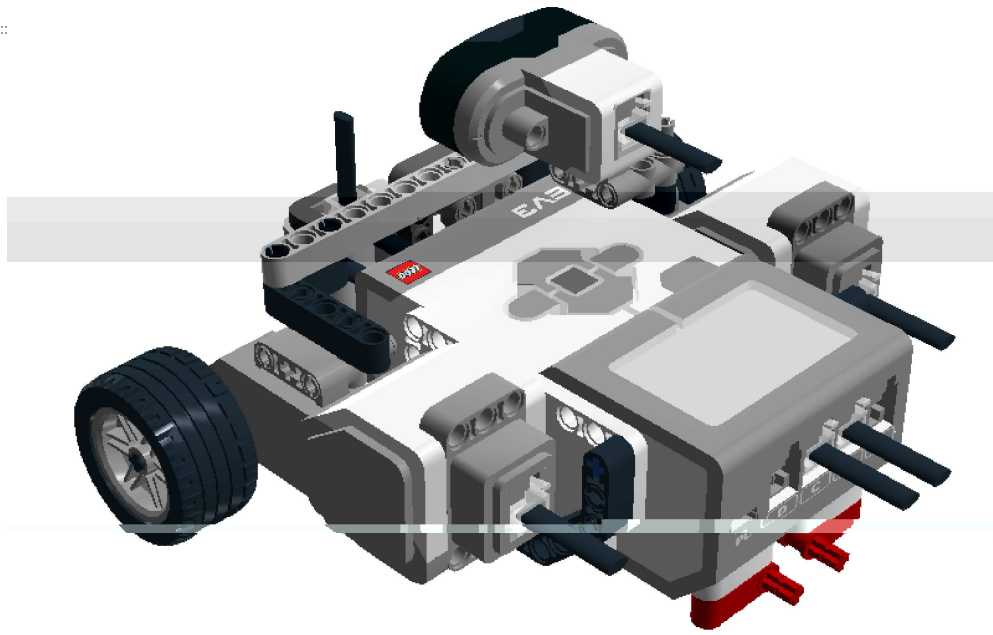
Step 23 of 29



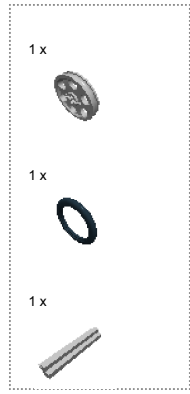
Step 24 of 29







Step 25 of 29



Step 26 of 29



Step 27 of 29

- 1 x 
- 1 x 
- 1 x 
- 1 x 



Step 28 of 29

2 x



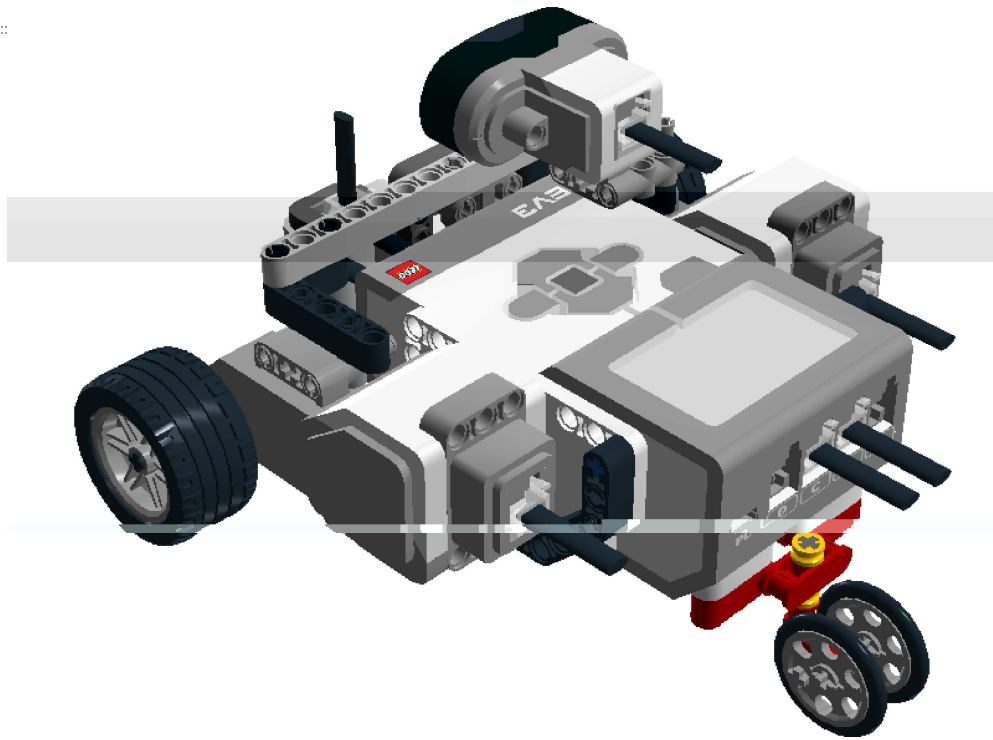
1 x




















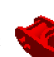







1 x



Step 29 of 29



2 x		4494222 WEDGE-BELT WHEEL Ø24 - Medium Stone Grey	2 x		6028041 T ! E "#! WEDGE-BELT WHEEL - B%&'	2 x		429(210 !)M W)DE W"+! #SS ,0x20 - Medium Stone Grey
2 x		4184286 T ! E - #! M. L W)DE Ø4, /2 O 22 - B%&'	8 x		6024181 +. BLE 210 MM - B%&' /T%r%23%rent	1 x		4146142 ++L#4! SE-S#! / SSEMBLED - Medium Stone Grey/D%r' Stone Grey/Li56t Stone Grey
1 x		6009811 MS-E7, /) ! SE-S#! - W6ite/B%&' /8& B%&' /r/Medium Stone Grey/Si%er Met%&&	2 x		601(912 MS 201, E-G)-E - W6ite/Bri56t ! ed/Medium Stone Grey	1 x		6009996 MS-E7, / 8-B!)+ : - W6ite/T%r%23%rent/Medium Stone Grey/D%r' Stone Grey/Si%er Met%&&
1 x		429(20, TE+H-) + 1, M BE. M - Li56t Stone Grey	2 x		414282, TE+H-) + . - G' BE. M , 01 90 DEG° - D%r' Stone Grey	1 x		4210(1, TE+H-) + . - G' BE. M , 01 90 DEG° - D%r' Stone Grey
2 x		4111998 D#4BLE . -G4L. ! BE. M , O(41; - B%&'	2 x		42,9601 1<2 B4SH - Bri56t e%o=	2 x		4142861 2M +! #SS . OLE W' G! ##7E - Bri56t ! ed
22 x		4121(11 +# - -E+T#! 8EG W' " !)+T)# - - B%&'	1 x		4211811 +! #SS . OLE , M - Medium Stone Grey	2 x		4211622 B4SH "#! +! #SS . OLE - Medium Stone Grey
1 x		422(111 B4SH "#! +! #SS . OLE - Bri56t ! ed	4 x		4206482 W"" !)+#+! #SS. LE - Bri56t B%e	1 x		4188298 +! #SS BL#+: 90; - Bri56t ! ed
2 x		, (0626 +! #SS . OLE 6M - B%&'	1 x		+! #SS . OLE 4M W)TH 608, 620 E-D ST#8 - D%r' Stone Grey	1 x		4128198 D#4BLE +! #SS BL#+: - Bri56t ! ed
2 x		41(1442 +! #SS BL#+: , M - Bri56t ! ed	6 x		42210, BE. M , M' W4 S- . 8S - Medium Stone Grey			

© 2012 The LEGO Group. All rights reserved.
Use of the LEGO Digital Designer html print tool signifies your agreement to the terms of use.